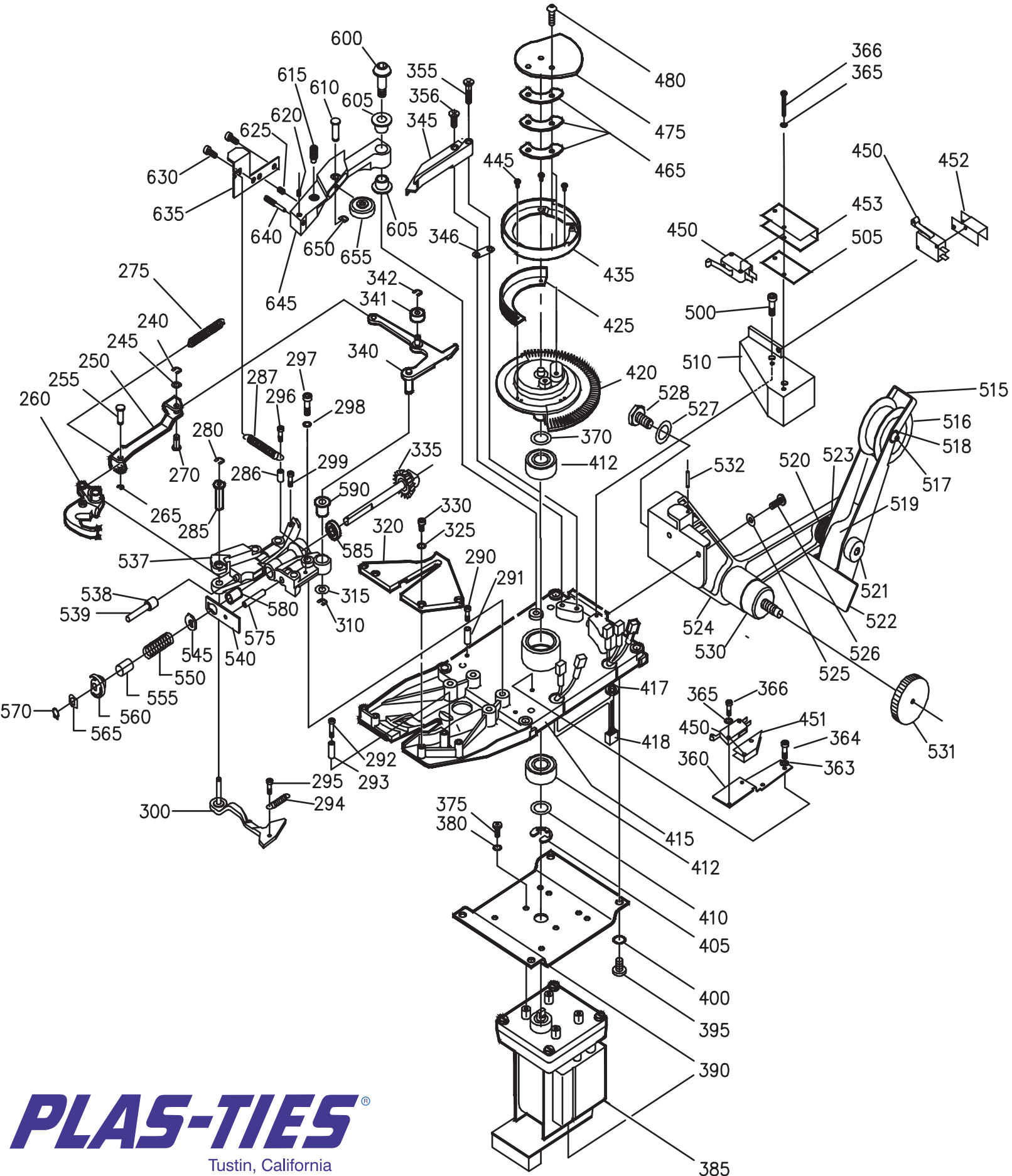


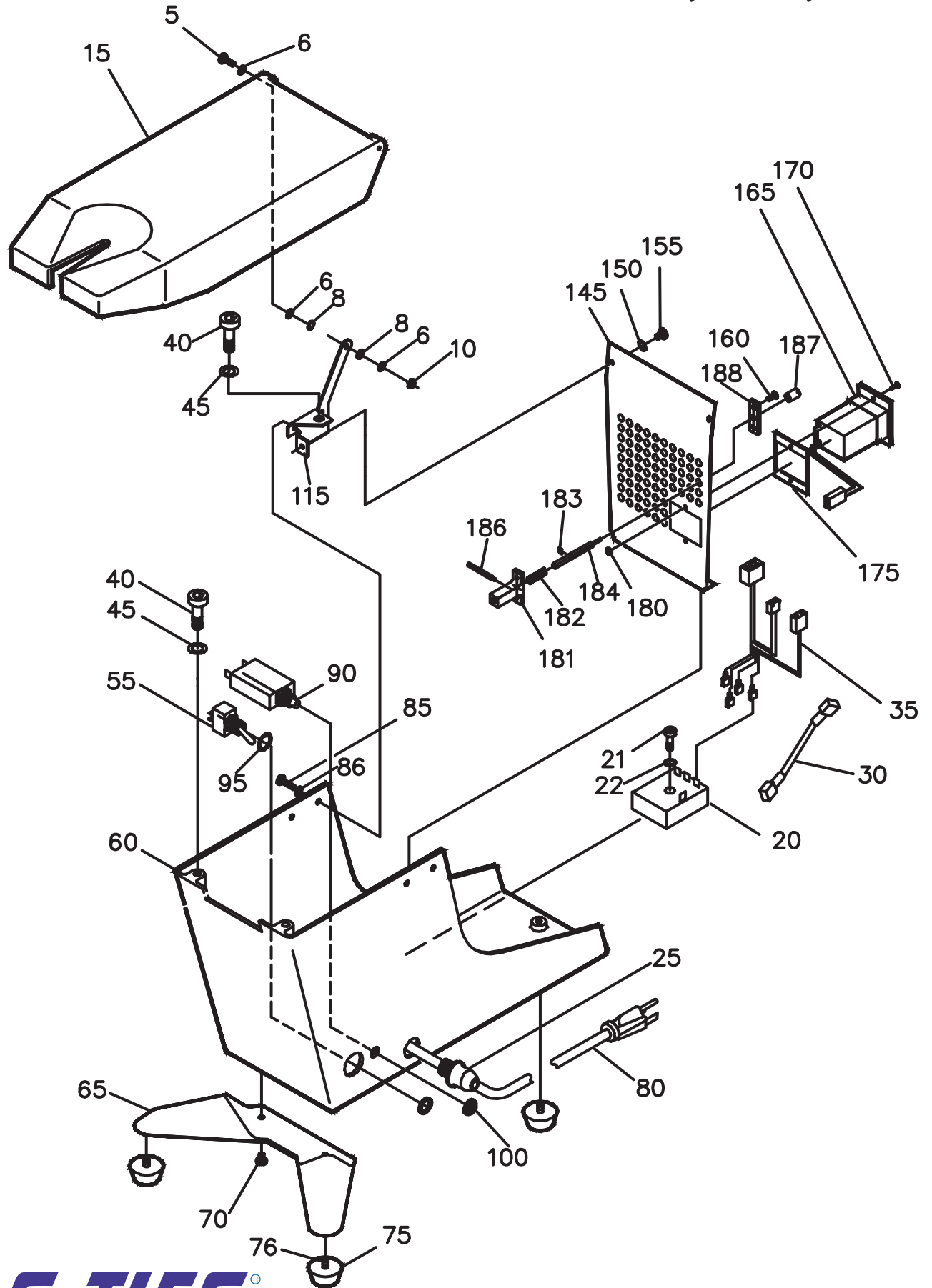
# Tie-Matic<sup>®</sup> HD

HD38, HD58, HD78



# Tie-Matic<sup>®</sup> HD

**COVER for  
HD38, HD58, HD78**



# HD TIE-MATIC PARTS LIST FOR POSTER

As of July 21, 2010

Item No.	Part No.	Description	Qty
5	P004868	1/4-20x3/4 Button Head Cap Screw Stainless Steel	2
6	P001450	Lockwasher - Internal Tooth .250	6
8	P005200	Wave Disc Washer	4
10	P004869	1/4-20 Nylon Insert Locknut #14NS	2
15	M002045	Cover / Label - Assembly (HD 38)	1
15	M002050	Cover / Label - Assembly (HD 58)	1
15	M002055	Cover / Label - Assembly (HD 78)	1
20	P005265	Solid State Timer	1
21	P004716	10-32 x 1 1/4 Socket Head Cap Screw	1
22	P005354	# 10 Flat Washer	1
25	M001497	Strain Relief	1
30	A301160	5" Wire Assembly	1
35	A601020	Bottom Harness	1
40	P004856	1/4-20x1 Socket Head Cap Screw	4
45	P001450	Lockwasher - Internal Tooth .250	4
55	P001560	Switch - On / Off	1
60	M002060	Tie-Matic HD Case	1
65	A101040	Foot Stabilizer - Assembly	1
70	P001290	10-32 x 1/2 PHP Screw	2
75	P001540	Foot - Rubber	3
76	P001210	10-32 x 1/2 PHP Type F Screw	3
80	A301010	Power Cord - Assembly	1
85	P005295	10-32 X 5/16 Button Head Socket Cap Screws	4
86	P001480	Lockwasher - Internal Tooth No. 10	4
90	P001580	Circuit Breaker - 115v 2 amp	1
95	P005355	Lockwasher - 7/16 ID 1222-01-00-0511	1
100	P001080	1/4-20 Hex Nut	2
115	S001180 A	Hinge - Support Bracket L.H.	1
115	S001180 B	Hinge - Support Bracket R.H.	1
145	S001220	Divider - Case	1
150	P001480	Lockwasher - Internal Tooth No. 10	4
155	P001320	10-32 x 1/4 Pan Head Screw	4
160	P001940	6-32 x 3/16 Flat Head Phillips Screw #0603 MPU	2
165	A301020	Counter - Assembly	1
170	P001630	4-40 x 3/8 Flat Head Screw	2
175	M001040	Seal - Counter	1
180	P001640	4-40 Hex Nut	2
181	M001660	Housing	1
182	P001970	Spring	1
183	P001160	External Snap Ring	1
184	M001670	Shaft	1
186	M001680	Shaft	1
187	M001160	Cushion	1
188	M001650	Plate	1
240	P001190	Snap Ring	1
245	P001500	Curved Spring Washer No. 10	1
250	S001230	Link - Needle Operating	1
255	M001260	Pin - Idler Wheel	1
260	A401590	Needle - Assembly (HD 38)	1
	A401595	Needle - Assembly (HD 58)	1
	A401600	Needle - Assembly (HD 78)	1
265	P001170	Crescent External Ring	1

# HD TIE-MATIC PARTS LIST FOR POSTER

As of July 21, 2010

Item No.	Part No.	Description	Qty
270	M001080	Pin - Clevis	1
275	M001488	Spring, Needle Return	1
280	P001140	E- Ring	1
285	M001220	Sleeve, Needle Pivot	1
286	P005352	6-32 x 3/8 Hex Nut	1
287	M001489	Idler Arm Tension Spring	1
290	P005328	4-40 x 5/8 Socket Head Cap Screw	1
291	M001496	Spacer, Needle Return Spring	1
292	M005328	4-40 x 5/8 Socket Head Cap Screw	1
293	M001498	Spring Spacer for Trigger Spring	1
294	M001490	Spring - Trigger Return	1
295	P004368	4-40 x 1/4 Socket Head Cap Stainless 0404 CSSS	1
296	P005357	6-32 x 1/2 Socket Head Cap Screw	1
297	P004856	1/4-20 X 1 Socket Head Cap Screw	4
298	P001450	Lockwasher - Internal Tooth .250	4
299	P005326	6-32 x 1/4 Socket Head Cap Screw	1
300	S001025	Trigger	1
310	P001160	External Snap Ring	1
315	P001730	Shim - Pinion Support	1
320	M001340	Cover - Trigger (HD 38)	1
	M001600	Cover - Trigger (HD 58)	1
	M001610	Cover - Trigger (HD 78)	1
325	P001470	Lockwasher - Internal Tooth No. 8	4
330	P005235	8-32 x 3/8 Button Head Cap Screw	4
335	M001493	Pinion / Shaft - Assembly	1
340	A401610	Needle, Actuating Assembly	1
341	P001510	Roller Bearing	1
342	P001190	Snap Ring	1
345	M001021	Guide - Tape Feed Modified	1
346	S001050	Shim - Material Guide	A/R
355	P005220	10-32 x 3/4 Flat Head Socket Screw	1
356	P005210	10-32 x 5/8 Flat Head Socket Screw	1
360	M029285	Bracket, Trigger Limit Switch	1
363	P001460	Lock Washer - Internal Tooth #4	2
364	P005326	6-32 x 1/4 Socket Head Cap Screw	2
365	P005353	# 4 Flat Washer	2
366	P004867	4-40 x 5/8 Button Head Cap Screw	2
370	P001720	Shim - Gear Segment	A/R
375	P005320	8-32 x 5/16 Soc Cap Stainless 0805CSSS	4
380	P001470	Lockwasher - Internal Tooth No. 8	4
385	P001740	Motor - Gear	1
390	S001170	Plate - Motor Mount	1
395	P005310	1/4-20 x 3/8 Socket Head Cap Stl Blk #1406CSP	4
400	P001450	Lockwasher - Internal Tooth .250	4
405	P001150	E- Ring Bowed	1
410	P001720	Shim - Frame	A/R
412	P001030	Bearing - Radial Ball	2
415	M002030	Frame - Gear Support (HD 38)	1
	M002035	Frame - Gear Support (HD 58)	1
	M002040	Frame - Gear Support (HD 78)	1
417	P001550	Grommet	2
418	A701060	Limit Switch Harness	1

# HD TIE-MATIC PARTS LIST FOR POSTER

As of July 21, 2010

Item No.	Part No.	Description	Qty
420	A501030	Gear Segment - Assembly	1
425	S001145	Drum - Material Feed (HD 38)	1
	S001245	Drum - Material Feed (HD 58)	1
	S001255	Drum - Material Feed (HD 78)	1
435	S001155	Guard - Cam Return	1
445	P001380	4-40 x 5/16 Pan Head Phillips	3
450	P001570	Micro Switch	3
451	M001501	Insulator, Trigger Limit Switch	1
452	M001499	Insulator, Cover Limit Switch	1
453	M001500	Insulator, Cam Limit Switch	1
465	S001210	Cam - Laminate	3
475	S001200B	Cam - Needle	1
480	P005210	10-32 x 5/8 Flat Head Socket Screw	2
500	P005328	4-40 x 5/8 Socket Head Cap Screw	2
505	M001200	Insulator, Spacer - Switch	1
510	M021012	Switch Mount	1
515	S001090	Spool, Brake Arm	1
516	M001315	Roller, Brake	1
517	M001120	Shaft, Brake Arm	1
518	P001090	Nut-Push .188 Shaft Diameter	2
519	S001280	Shield, Brake Arm	1
520	M001550	Spring - Brake Arm	1
521	P001350	3/8 - 16 x 1/2 x 1-1/2 Shoulder Screw #5024SS	1
522	M001030	Plate, Brake Arm	1
523	P001040	Bushing, Plastic	2
524	M001101	Beam, Brake Arm	1
525	P001480	Lockwasher - Internal Tooth No. 10	2
526	P001290	10-32 x 1/2 PHP Screw	2
527	P001490	Washer - Nylon .296 ID x .750 OD x .032	1
528	P001360	1/4-20 x 1/2 Hex Head Cap Screw	1
530	M001470	Spindle Assembly	1
531	M001471	Knob, Knurled Nut	1
532	P001130	Spring Pin .125 x .563	2
537	M001135	Pinion Support	1
538	M001160	Cushion	1
539	M001170	Pin, Needle Stop	1
540	M001380	Stationary Cutter Plate	1
545	M001620	Cutter, Movable	1
550	M001150	Spring, Cutter	1
555	M001190	Cover, Spring	1
560	M001330	Twister, Ribbon	1
565	S001060	Deflector	1
570	P001180	Snap Ring	1
575	M001180	Locator Pin	1
580	P001620	Bushing	1
585	P001020	Bearing	1
590	P001010	Bushing	1
600	M001491	Shoulder Bolt, Modified 5/16 x 5/8	1
605	M001495	Flange Sleeve Bearing	2
610	M001260	Pin, Clevis	1
615	M001485	Modified Set Screw	1
620	P005351	8/32 x 1/4 Socket Set Screw	1

# HD TIE-MATIC PARTS LIST FOR POSTER

As of July 21, 2010

Item No.	Part No.	Description	Qty
625	P005350	8/32 x 3/16 Hex Socket Set Screw	1
630	P005320	8/32 x 5/16 Socket Head Cap Screw	2
635	M001486	Spring Bracket, Pivot Drive	1
640	M001494	Modified, 8/32 x 1 Socket Set Screw	1
645	M001480	Pivot Drive Arm	1
650	P001160	External Snap Ring	1
655	A401075	Drive Wheel Assembly	1

# HD TIE-MATIC PARTS LIST FOR POSTER

As of July 21, 2010

Item No.	Part No.	Description	Qty
<b>ASSEMBLIES</b>			
	<b>A401535</b>	<b>Master Pinion Support Assembly</b>	
240	P001190	Snap Ring	1
245	P001500	Curved Spring Washer No. 10	1
250	S001230	Link - Needle Operating	1
255	M001260	Pin - Idler Wheel	1
260	A401590	Needle - Assembly (HD 38)	1
	A401595	Needle - Assembly (HD 58)	1
	A401600	Needle - Assembly (HD 78)	1
265	P001170	Crescent External Ring	1
270	M001080	Pin - Clevis	1
275	M001488	Spring, Needle Return	1
280	P001140	E- Ring	1
285	M001220	Sleeve, Needle Pivot	1
286	P005352	6-32 x 3/8 Hex Nut	1
287	M001489	Idler Arm Tension Spring	1
290	P005328	4-40 x 5/8 Socket Head Cap Screw	1
291	M001496	Spacer, Needle Return Spring	1
292	M005328	4-40 x 5/8 Socket Head Cap Screw	1
293	M001498	Spring Spacer for Trigger Spring	1
294	M001490	Spring - Trigger Return	1
295	P004368	4-40 x 1/4 Socket Cap Stainless 0404 CSSS	1
296	P005357	6-32 x 1/2 Socket Head Cap Screw	1
297	P004856	1/4-20 X 1 Socket Head Cap Screw	4
298	P001450	Lockwasher - Internal Tooth .250	4
299	P005326	6-32 x 1/4 Socket Head Cap Screw	1
300	S001025	Trigger	1
310	P001160	External Snap Ring	1
315	P001730	Shim - Pinion Support	1
310	P001160	Crescent External Ring	1
315	P001730	Shim - Pinion Support	1
320	M001340	Cover - Trigger (HD 38)	1
	M001600	Cover - Trigger (HD 58)	1
	M001610	Cover - Trigger (HD 78)	1
335	M001493	Pinion / Shaft - Assembly	1
340	A401610	Needle, Actuating Assembly	1
341	P001510	Roller Bearing	1
342	P001190	Snap Ring	1
537	M001135	Pinion Support	1
538	M001160	Cushion	1
539	M001170	Pin, Needle Stop	1
540	M001380	Stationary Cutter Plate	1
545	M001620	Cutter, Movable	1
550	M001150	Spring, Cutter	1
555	M001190	Cover, Spring	1
560	M001330	Twister, Ribbon	1
565	S001060	Deflector	1
570	P001180	Snap Ring	1
575	M001180	Locator Pin	1
580	P001620	Bushing	1
585	P001020	Bearing	1
590	P001010	Bushing	1

# HD TIE-MATIC PARTS LIST FOR POSTER

As of July 21, 2010

Item No.	Part No.	Description	Qty
<b>A401540 Pinion Support - Assembly</b>			
299	P005326	6-32 x 1/4 Socket Head Cap Screw	1
335	M001493	Pinion / Shaft - Assembly	1
537	M001135	Pinion Support	1
538	M001160	Cushion	1
539	M001170	Pin, Needle Stop	1
540	M001380	Stationary Cutter Plate	1
545	M001620	Cutter, Movable	1
550	M001150	Spring, Cutter	1
555	M001190	Cover, Spring	1
560	M001330	Twister, Ribbon	1
565	S001060	Deflector	1
570	P001180	Snap Ring	1
575	M001180	Locator Pin	1
580	P001620	Bushing	1
585	P001020	Bearing	1
590	P001010	Bushing	1
<b>A401545 Pinion Support</b>			
299	P005326	6-32 x 1/4 Socket Head Cap Screw	1
537	M001135	Pinion Support	1
538	M001160	Cushion	1
539	M001170	Pin, Needle Stop	1
580	P001620	Bushing	1
585	P001020	Bearing	1
590	P001010	Bushing	1
<b>A401520 Gear Support Frame - Assembly (HD 38)</b>			
415	M002030	Frame - Gear Support (HD 38)	1
412	P001030	Bearing - Radial Ball	2
417	P001550	Grommet	1
<b>A401525 Gear Support Frame - Assembly (HD 58)</b>			
415	M002035	Frame - Gear Support (HD 58)	1
412	P001030	Bearing - Radial Ball	2
417	P001550	Grommet	1
<b>A401530 Gear Support Frame - Assembly (HD 78)</b>			
415	M002040	Frame - Gear Support (HD 78)	1
412	P001030	Bearing - Radial Ball	2
417	P001550	Grommet	1
<b>A401510 Master Gear Segment Assembly</b>			
420	A501030	Gear Segment - Assembly	1
425	S001145	Drum - Material Feed (HD 38)	1
	S001245	Drum - Material Feed (HD 58)	1
	S001255	Drum - Material Feed (HD 78)	1
435	S001155	Guard - Cam Return	1
445	P001380	4-40 x 5/16 Pan Head Phillips	3
465	S001210	Cam - Laminate	3
475	S001200B	Cam - Needle	1
480	P005210	10-32 x 5/8 Flat Head Socket Screw	2

# HD TIE-MATIC PARTS LIST FOR POSTER

As of July 21, 2010

Item No.	Part No.	Description	Qty
<b>A401550 Idler Wheel Assembly</b>			
287	M001489	Idler Arm Tension Spring	1
600	M001491	Shoulder Bolt, Modified 5/16 x 5/8	1
605	M001495	Flange Sleeve Bearing	2
610	M001260	Pin, Clevis	1
615	M001485	Modified Set Screw	1
620	P005351	8-32 x 1/4 Socket Set Screw	1
625	P005350	8-32 x 3/16 Hex Socket Set Screw	1
630	P005320	8/32 x 5/16 Socket Head Cap Screw	2
635	M001486	Spring Bracket, Pivot Drive	1
640	M001494	Modified, 8/32 x 1 Socket Set Screw	1
645	M001480	Pivot Drive Arm	1
650	P001160	External Snap Ring	1
655	A401075	Drive Wheel Assembly	1
<b>A401555 Brake - Complete Assembly</b>			
515	S001090	Spool, Brake Arm	1
516	M001315	Roller, Brake	1
517	M001120	Shaft, Brake Arm	1
518	P001090	Nut-Push .188 Shaft Diameter	2
519	S001280	Shield, Brake Arm	1
520	M001550	Spring - Brake Arm	1
521	P001350	Shoulder - Bolt 3/8-16 x	1
522	M001030	Plate, Brake Arm	1
523	P001040	Split Bearing, Nyliner 8L1-FF	2
524	M001101	Beam, Brake Arm	1
525	P001480	Lockwasher - Internal Tooth No. 10	2
526	P001290	10-32 x 1/2 PHP Screw	2
527	P001490	Washer, Nylon .296 ID x .750 OD x .032 Thick	1
528	P001360	1/4-20 x 1/2 Hex Head Cap Screw	1
530	M001470	Spindle Assembly	1
531	M001471	Knob, Knurled Nut	1
532	P001130	.125 x .563 Roll Spring Pin	2
<b>A301150 Brake Arm, Complete Spool Assembly</b>			
515	S001090	Spool, Brake Arm	1
516	M001315	Roller, Brake	1
517	M001120	Shaft, Brake Arm	1
518	P001090	Push Nuts	2
519	S001280	Shield, Brake Arm	1
522	M001030	Plate, Brake Arm	1
523	P001040	Split Bearing, Nyliner 8L1-FF	2
<b>A301152 Brake Arm, Spool Sub-Assembly</b>			
515	S001090	Spool, Brake Arm	1
519	S001280	Shield, Brake Arm	1
522	M001030	Plate, Brake Arm	1

# HD TIE-MATIC PARTS LIST FOR POSTER

As of July 21, 2010

Item No.	Part No.	Description	Qty
<b>A401565 Case Assembly</b>			
20	P005256	Solid State Timer	1
21	P004716	10-32 x 1 1/4 Socket Head Cap Screw	1
22	P005354	# 10 Flat Washer	1
25	M001497	Strain Relief	1
30	A301160	5" Wire Assembly	1
35	A601020	Bottom Harness	1
55	P001560	Switch - On / Off	1
60	M002060	Tie-Matic HD Case	1
70	P001290	10-32 x 1/2 PHP Screw	2
75	P001540	Foot - Rubber	3
76	P001210	10-32 x 1/2 PHP Type F Screw	3
80	A301010	Power Cord - Assembly	1
85	P005295	10-32 X 5/16 Button Head Socket Cap Screws	4
86	P001480	Lockwasher - Internal Tooth No. 10	4
90	P001580	Circuit Breaker - 115v 2 amp	1
95	P005355	Lock Washer - 7/16 ID 1222-01-00-0511	1
100	P001080	1/4-20 Hex Nut	2
115	S001180 A	Hinge - Support Bracket L.H.	1
115	S001180 B	Hinge - Support Bracket R.H.	1
<b>A401515 Case Divider Assembly</b>			
145	S001220	Divider - Case	1
150	P001480	Lockwasher - Internal Tooth No. 10	4
155	P001320	10-32 x 1/4 Pan Head Screw	4
160	P001940	6-32 x 3/16 Flat Head Phillips Screw #0603MPU	2
165	A301020	Counter - Assembly	1
170	P001630	4-40 x 3/8 Flat Head Screw	2
175	M001040	Seal - Counter	1
180	P001640	4-40 Hex Nut	2
181	M001660	Housing	1
182	P001970	Spring	1
183	P001160	External Snap Ring	1
184	M001670	Shaft	1
186	M001680	Shaft	1
187	M001160	Cushion	1
188	M001650	Plate	1
<b>A401570 Motor Release Actuator Assembly</b>			
160	P001940	6-32 x 3/16 Flat Head Phillips Screw #0603 MPU	2
181	M001660	Housing	1
182	P001970	Spring	1
183	P001160	External Snap Ring	1
184	M001670	Shaft	1
186	M001680	Shaft	1
187	M001160	Cushion	1
188	M001650	Plate	1